

ROTAMETER FLOW METER

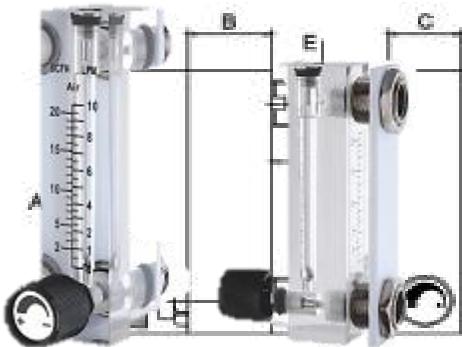


Email: rotainstruments@gmail.com

Company: Rota Instruments

website : rotainstruments.com

LZM-4T、6T、8T、Series Acrylic flow meter



Technical Parameters of LZM-4T 6T 8T Series Flow Meter

Model	Range		Screw Thread	Accuracy	Size(mm)						
	ml/min (Liquid)	NL/min(Gas)			A	B	C	D	E	F	G
LZM-4T	6-60 8-80 10-100	0.25-2.5 0.6-6 0.2-2 1.2-12 1-5	Direct φ6	±4%	94	27	21	14	φ14	70	11
LZM-6T	0.5-5L/H 1.5-15L/H 9-90L/H 0-3L/H 6-60L/H 10-100L/H 16-160L/H 20-200L/H 30-300L/H 100-500L/H	0.1-1 0.1-1 0.3-3 0.4-4 1-5 1-12 2-10 2-20 3-15 3-30 4-40 5-50 10-60 10-70 30 10-100L 300ml/min PM	G1/4" BSP(F)		102	29	25	20	M18*1.5	77	12.5
LZM-8T	2.5-25LPH 5-45LPH 6-60LPH 9-90LPH	0.1-1Nm ³ /h 0.16-1.6 Nm ³ /h 0.2-2Nm ³ /h			110	25	25	20	M18*1.5	80	12

The Material of LZM-4T 6T 8T Series Flow Meter

With valve	Valve	Fitting	Float	Q-ring
T-With O-No	✓1.Brass 2.SS	1.ABS 2.PP 3.PVC 4.Brass 5.Brass chromeplate ✓ 6.SS	✓1.SS 2.Acrylic 3.Agata ball 4.PTFE	✓1.silicon rubber 2.Fluorin rubber 3.Butrl

Note: Mark with √, the material of the Flow Meter is the General Configuration

LZM (ZT) -Series Acrylic Flow Meter



Technical Parameters of LZM Series Flow Meter

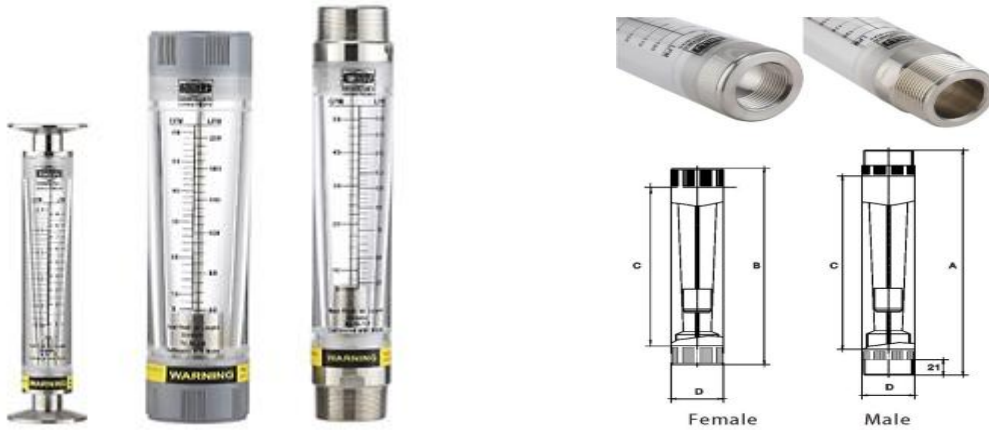
Model	Range		Nm3/h Gas	Screw Thread	Accuracy	Size(mm)						
	GPM Liquid	LPM Liquid				A	B	C	D	E	F	G
LZM-15ZT	0.05-0.5	0.2-2	0.1-1 1.2-12	Male 1/2"BSPT ZG1/2 Female ZG1/2 1/4"BSPT	±4%	176	32	168	35	19	76	127
	0.1-1	0.5-4	0.2-2 2-16									
	0.2-2	1-7	0.5-3 2-20									
	1.3-3	1-11	0.6-6 2.5-25									
	0.5-5	2-18	1-10 3-30									
		10-100LPH	4-40									
LZM-25ZT	1-10	5-40	6-60m3/h	Male 1"BSPT	±4%	234	45	226	46	27	100	160
	2-15	10-50	16-160 m3/h									
	2-20	10-70	25-250Nm3/h									
	3-30	10-110										
	5-35	20-140										
	5-40	10-150										
LZM-50	5-45	10-170		Male 2"BSPT	±4%	296	70	281	82.5	41	100	190
	10-50	50-190										
	10-60	20-220										
	20-80	90-300										
	25-100	100-350										
	30-150	100-500										

The Material of LZM series Flow Meter

Fitting	Float	Q-ring
✓ 1.ABS 2.PP 3.PVC 4.Brass 5.Brass chromeplate 6.SS	✓ 1.SS	✓ 1.silicon rubber 2.Fluorin rubber 3.Butrl

Note: Mark with √, the material of the Flow Meter is the General Configuration

LZM-G Series Acrylic Flow Meter



Technical Parameters of LZM-G Series Tube Type Flow Meter

Model	Range		Nm ³ /h Gas	Screw Thread		Accuracy	Size(mm)			
	GPM Liquid	LPM Liquid		Male	Female		A	B	C	D
LZM-15G	0.05-0.5	0.18-1.8	0.8-8	1/2"NPT 1/2"BSP	1/2"NPT 1/2"BSP	±4%	235	233	180	φ32
	0.06-0.6	0.21-2.1	1-10							
	0.1-1	0.4-4	1.2-12							
	0.15-1.5	0.5-5	1.6-16							
	0.2-2	1-7	2.5-25							
	0.25-2.5	1-9	6-60LPM							
	0.5-5	1.8-18								
LZM-20G	1-10	4-40	4-40	1 1/4"NPT 1 1/4"BSP	3/4"NPT 3/4"BSP	±4%	330	283	236	φ45
	1.5-15	5-55	6-60							
	2-20	10-70	15-140							
	3-30	10-110	16-160							
	5-35	20-140	25-250							
	4-40	15-150								
LZM-25G	1-10	4-40	15-140	1 1/2"NPT 1 1/2"BSP	1"NPT 1"BSP	±4%	319	297	235	φ51
	2-20	10-70	16-160							
	3-30	10-110	25-250							
	5-35	20-140	40-400							
	4-40	15-150								
	5-50	25-190								
	6-60	30-225								
LZM-40G	4-40	15-150			1 1/2"NPT 1 1/2"BSP	±4%	340	302	240	φ65
	6-60	22-220								
	20-80	30-300								
	15-100	50-400								
LZM-50G	20-80	100-300	100-500	2"NPT 2"BSP	2"NPT 2"BSP	±4%	400	367	294	φ75
	20-100	100-350	100-600							
	20-120	100-450	300-900							
	40-150	150-550								
	60-200	150-750								

LZM-GG Series Polycarbonate Tube Type Flowmeter

Overview

The LZM-GG improved pipeline flow meter is a series of products based on the LZM-G series. Its main material is high-quality engineering plastic, which can be used for a long time in high temperature environments of 120 °C and low temperature environments of -30 °C. Due to the small shrinkage of raw materials, the product size stability is high. Therefore, this series of flow meters has high accuracy, is not affected by mechanical processing errors, has strong adaptability to the use environment, and mass production, stable quality, low manufacturing cost, and beautiful appearance. Due to the harsh installation environment and long-term use, the scale may become blurry. Therefore, a detachable scale is used for easy replacement, without the need to disassemble the flow meter, and can ensure accuracy, thus not affecting use.



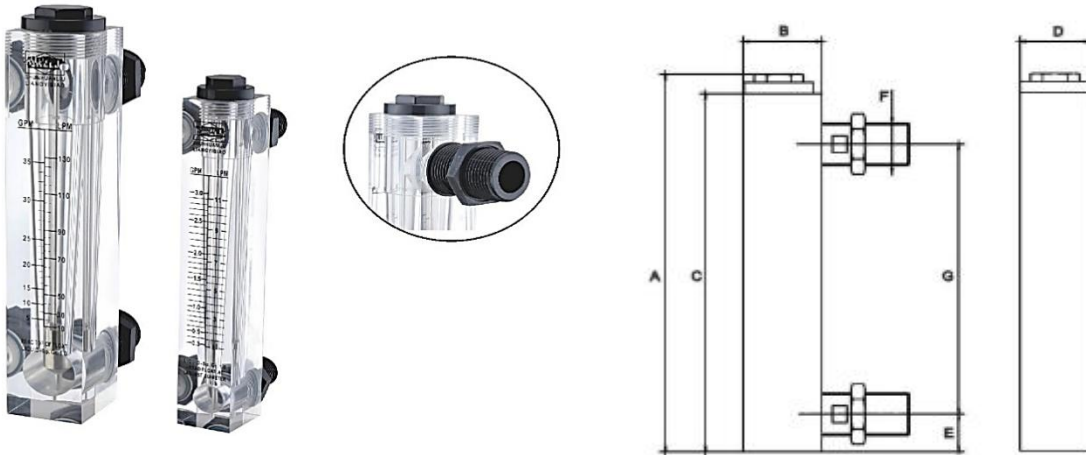
Technical Parameters of LZM-GG Series Polycarbonate Tube Type Flowmeter is the same as LZM-G Series Tube Type Flow Meter

The Material of LZM-G and LZM-GG Series Flow Meter

Fitting	Float	Q-ring
<ul style="list-style-type: none"> ✓1.ABS 2.PP 3.PVC 4.Brass 5.Brass chromeplate 6.SS 	<ul style="list-style-type: none"> ✓1.SS 2.Agata ball 3.PTFE 	<ul style="list-style-type: none"> ✓1.silicon rubber 2.Fluorin rubber 3.Butrl

Note: Mark with ✓, the material of the Flow Meter is the General Configuration

LZM-L Series Acrylic Flow Meter



Technical Parameters of LZM-L Series Flow Meter

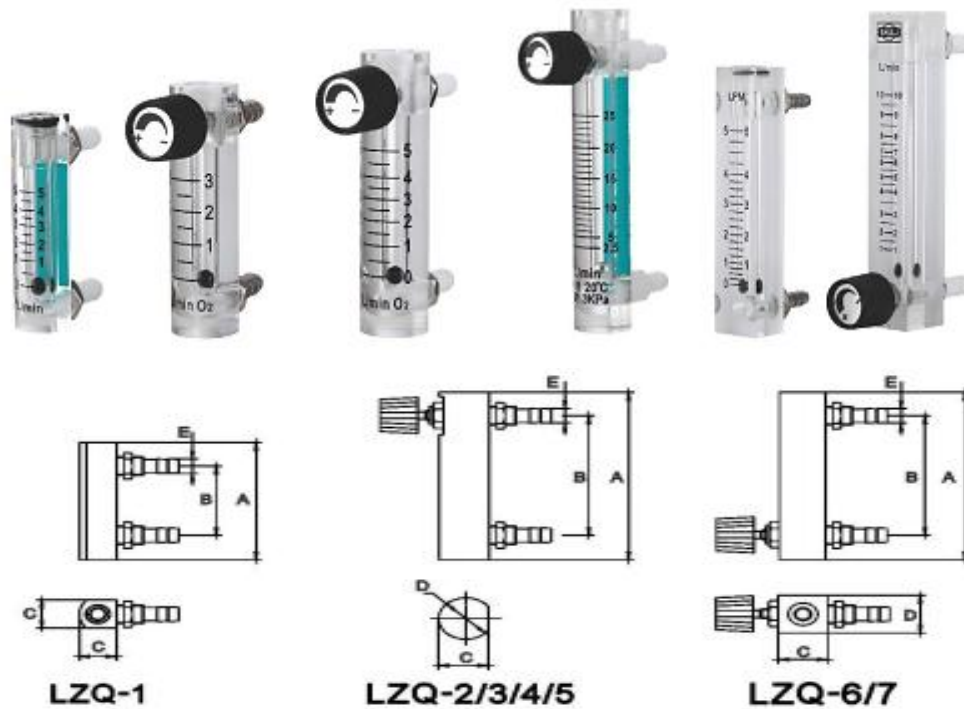
Model	Range		Nm ³ /h Gas	Accuracy	Size(mm)						
	GPM Liquid	LPM Liquid			A	B	C	D	E	F	G
LZM-15L	0.1-1 0.2-2 0.3-3 0.5-5 1-7 1.5-9	0.5-4 0.8-8 1-11 2-18 2-28 400-2000L HP	1-10 1.6-16 2.5-25 4-40	±4%	216	32	206	17	(M) 1/2" BSP	23	165
LZM-20L	2-10 2-16 2-20	8-40 8-60 8-80	2.5-25 6-60 10-100 16-160		233	39	220	24.5	(M) 3/4" BSP	28	165
LZM-25L	1.5-15 3-13 4-24 5-35 5-45	6-60 10-50 10-100 10-130 20-170	20-200 25-250		253	44	240	28.5	(M) 1" BSP	35	175

The Material of the LZM-series flow Meter

Fitting	Float	Q-ring
✓ 1.ABS 2.PP 3.PVC 4.Brass 5.Brass chromeplate 6.SS	✓ 1.SS 2.Agata ball 3.PTFE	✓ 1.silicon rubber 2.Fluorin rubber 3.Butrl

Note: Mark with ✓, the material of the Flow Meter is the General Configuration

LZQ-Series Acrylic Flow Meter



Technical Parameters of LZQ Series Flow Meter

Model	Range O ₂ (L/Min)	Connection type	Size(mm)				
			A	B	C	D	E
LZQ-1	0-5	Hose	70	52	15	4	M8*1
LZQ-2	0-3		80	59	15.8	22	
LZQ-3	0-5 0-10		90	65.5	20	22	
LZQ-4	0-5 2-10		115	90	20	22	
LZQ-5	2.5-5		120	92	21	23	
LZQ-6	0-5 2-10 2-20		100	76	25	24	
LZQ-7	0.3-3 1-15 1-5 2-20 2-10 3-30		120	94.5	22	20	

The Material LZQ Series Flow Meter

With valve	Valve	Fitting	Float	Q-ring
T-with O-No	✓1.Brass 2.SS	1. .Brass 3.SS 2.Brass ✓4.POM plastic chromeplate	✓1.Agate ball 2. SS ball	✓1.silicon rubber 2.Butrl

LZS-P Durable Plastic Tube Flowmeter

The short tube type with leader (Guide bar)

The long tube type without leader (Guide bar)



Both

types feature high precision and durability, suitable for various industrial applications. The short tube with a guide bar ensures stable flow measurement, while the long tube type offers flexibility in installation. Each variant is designed to withstand harsh conditions, ensuring reliable performance over extended periods.

Technical Parameters of LZS-P Series Flow Meter

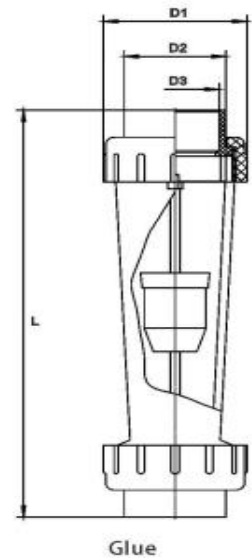
Model	LZS-15 (L/h)	LZS-20 (L/h)	LZS-25 (m3/hr)	LZS-32 (m3/hr)	LZS-40 (m3/hr)	LZS-50 (m3/hr)	LZS-65 (m3/hr)	LZS-80 (m3/hr)	LZS-100 (m3/hr)	LZS-125 (m3/hr)	LZS-125 (m3/hr)
Range	10-60 10-100 16-160 25-250 40-400 60-600 80-800 100-1000	40-400 60-600 100-1000	60-600 100-1000 160-1600 250-2500 300-3000	0.4-4 0.6-6 1-10	0.4-4 0.6-6 1-10 1.2-12	0.4-4 0.6-6 1-10 1.6-16	1-10 1.6-16 5-25 8-40 12-60	5-25 8-40 12-60 12-80	8-40 8-50 12-60 14-90 18-120	15-150 22-180 25-200 22-220	15-150 22-180 25-200 22-220
Type	Long tube/Short tube						Short tube		Flange Connection		
Accuracy	±4%										
Temperature	0-60°C										
Pressure	≤0.6MPa										

Remark

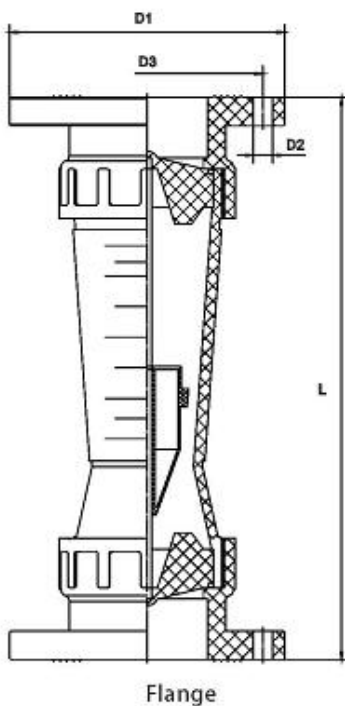
- 1、Tapertube is AS Leader is Ss304 Others are ABS or PVC
- 2、The material of float joint pipe and leader could be cast cmized

Technical Parameters of LZS Series Flow meter (Glue and Female)

Model	DN	Size							
		Long tube				Short tube			
		L	D1	D2	D3	L	D1	D2	D3
LZS-15	15	280	45	26	20	200	44	26	20
LZS-20	20	324	51	31	25	234	59	31	25
LZS-25	25	380	68	39	32	234	60	39	32
LZS-32	32	375	74	50	40	288	74	50	40
LZS-40	40	415	88	63	50	380	87	63	50
LZS-50	50	435	98	73	63	348	98	73	63
LZS-65	65					430	124	88	75
LZS-80	80					505	142	106	90



Technical Parameters of LZS Series Flow meter (Flange Connection)



Model	Size			
	L	D1	D2	D3
LZS-15D	245	95	φ14*4	65
LZS-20D	288	104	φ14*4	74
LZS-25	290	120	φ14*4	85
LZS-32	360	139	φ14*4	100
LZS-40	465	149	φ14*4	110
LZS-50	445	163	φ14*4	125
LZS-65	525	180	φ18*4	145
LZS-80	600	195	φ18*4	160
LZS-100	550	215	φ18*4	180
LZS-125	550	248	φ18*4	210
LZS-150	550	280	φ18*4	240

LZS-Durable Plastic Tube Type Flowmeter

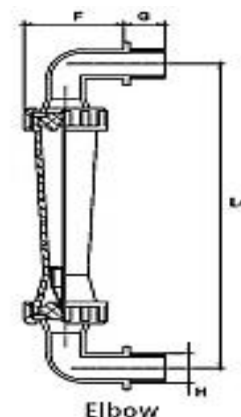
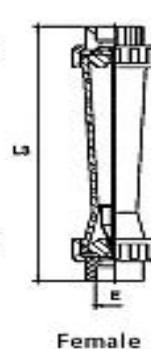
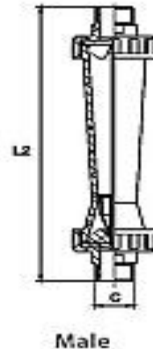
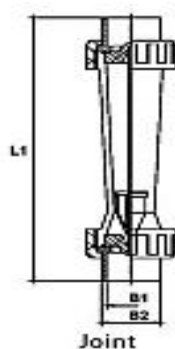
Polysulfide (PSU) or PC body, Fittings made of PVC ABS or SS Floats Capable of withstanding higher temperatures, Thread joint and panel-mounted fittings are easy to install. Economical and durable

LZS-Y Datasheet

Model	Range		Accuracy	Working T	Working P
	GPM	LPM			
LZS-15P	0.1-1	0.5-4	±4%	0-60°C	≤1MPa
	0.2-2 0.5-5	0.2-2 0.5-5			
LZS-25P	0.8-8 / 1-10	3-30 / 1-10			
LZS-32P	1.2-12	5-50			
	2-20 / 2.5-25	8-80 / 10-100			
LZS-50P	2.5-25	10-100			
	5-45 / 7-70	20-180 / 25-250			
LZS-65P	25-110	80-400			
	40-160 / 50-250	150-600 / 200-1000			

LZS-Y Datasheet for Installation

Model	L	D	Joint			Male		Female		Elbow			
			L1	B1	B2	B2	B2	L2	C	L4	F	G	H
LZS-15Y	172	φ50	218	φ20	φ26	250	G1/2" Z1/2"	218	G1/2" Z1/2	270	56	17	G1/2" Z1/2
LZS-25Y	170	φ59	230	φ32	φ39	250	G1/2" Z1/2	230	G3/4" Z3/4"	270	70.5	28	G3/4" Z3/4"
LZS-32Y	225	φ72	290	φ40	φ49	310	G1" Z1"	290	G1" Z1	345	86	35	G1" Z1"
LZS-50Y	290	φ98	375	φ63	φ73	400	G2" Z2"	370	G2" Z2"	440	109	40	G2" Z2"
LZS-65Y	325	φ120	420	φ75	φ89	445	G1 1/2" Z1 1/2"	420	G2 1/2" Z2 1/2"				



Variable Area Flowmeter With Alarm Limit Switch

- Philosophy

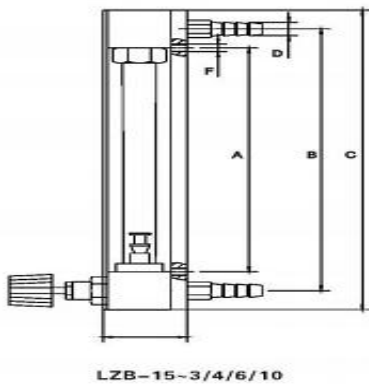
Switch on/off is magnetic float contact open/close after magnetron bistable exciting Alarm sound and light are based on the switch position of on/off linked to relays among other parts and elements.
- Functions and Applications

BJ01: High Alarm Limit Switch (HA)BJ02: Low Alarm Limit Switch (LA), Both the switches of BJ01 and BJ02 are able to send relevant signals at maximum, middle and minimum flow. The switches are mounted on certain selected position of rail and whenever magnetic float reaches or passes the switch level, signals will be sent out for internal contact actuation of either opening or closing.
- Technical Parameter

Rated Voltage: ax DC24/AC24 Rated Amperage: max0.3A
Steady Current at Switches Opening or Closing: IP65
Displacement (position on or off) :<4mm.
- Precautions
 - 1) Keep off from ambient magnetic disturbance during mounting e.g. Large motors etc.;
 - 2) Flow media should be free from ferromagnetic foreign matters;
 - 3) Ensure pipes or tubes to be mounted with the flowmeters free from any potential vibration in case switch contact actuates accidentally.



LZB and LZB-F Class Tube Ratameter



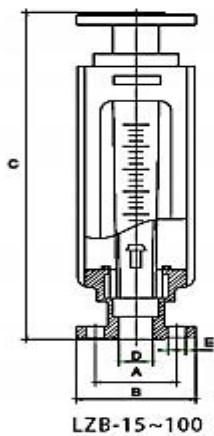
Technical Parameters

Model	Range		Working Pressure	Accuracy
	Water	Air(0.1013MPa)		
3	0.4-4ml/min	6-60ml/min	≤1.0MPa	±2.5%
	0.6-6ml/min	10-100ml/min		
	1-10ml/min	16-160ml/min		
	6-16ml/min	25-250ml/min		
	2.5-25ml/min	40-400ml/min		
	4-40ml/min	60-600ml/min		
	6-60ml/min	100-1000ml/min		
	0-100ml/min	60-1600ml/min		
4	1-10l/h	16-160l/h	≤1.0MPa	±2.5%
	1.6-16l/h	25-250l/h		
	2.5-25l/h	40-400l/h		
6	2.5-25l/h	40-400l/h	≤1.0MPa	±2.5%
	4-40l/h	60-600l/h		
	6-60l/h	100-1000l/h		
10	6-60l/h	100-1000l/h	≤1.0MPa	±2.5%
	0-100l/h	160-1600l/h		
	6-160l/h	250-2500l/h		

Dimension

Model	Size mm					
	A	B	C	D	E	F
LZB-3		116	136	φ8	26x25	
LZB-4	178	204	234	φ9	39.5x34	2-M6
LZB-6	178	204	234	φ9	39.5x34	2-M6
LZB-10	178	208	238	φ12	39.5x34	2-M6

Noted: Other flow ranges can be specially customized. Please consult us before placing an order.



Technical Parameters

Model	Range		Working Pressure	Accuracy
	GPN	Gas(0.1013MPa)		
15	16-160l/h	0.25-2.5 m ³ /h	<0.6MPa	±2.5%
	25-250l/h	0.40-4m ³ /h		
	40-400l/h	0.60-6 m ³ /h		
25	40-400l/h	1-10m ³ /h		±1.5%
	60-600l/h	1.6-16 m ³ /h		
	100-1000l/h	2.5-25m ³ /h		
40	160-1600l/h	4-40 m ³ /h	≤0.4MPa	
	250-2500l/h	6-60 m ³ /h		
50	400-4000l/h	10-100m ³ /h		
	600-6000l/h	16-160 m ³ /h		
80	1-10/ m ³ /h	50-250 m ³ /h/		
	1.6-16m ³ /h	80-400m ³ /h		
100	5-25m ³ /h	12-600 m ³ /h m ³ /h		
	8-40m ³ /h	200-1000m ³ /h		

Dimension

Model	size (mm)				
	A	B	C	D	
LSB-15	φ95	φ65	470	φ15	4-φ14
LSB-25	φ 115	φ85	470	φ25	4-φ14
LSB-40	φ 145	φ 110	570	φ40	4-φ14
LSB-50	φ 160	φ 125	570	φ50	4-φ18
LSB-80	φ 185	φ 150	660	φ80	4-φ18
LSB-100	φ205	φ 170	660	φ100	4-φ18

LZB Glass Tube Rotameter

This is a highly accurate glass rotameter with diversified joints and various options of scaling from to percentage.VA10 is threaded connection.SA10 is hose connection, FA10 is movable flange connection.

Mode	Diameter (mm)	range				Accuracy (±%)	Temperature	Working Pressure			
		Water 20°C (L/h)		Air 10132Pa 20°C(m3/h)							
VA 10-15 FA 10-15 WA10-15	15	4-40 10-100 16-160 25-250	36-360 46-460 65-650 75-750	6.3-63 12-120 20-200 75-750	30-300 40-400 63-630 75-750	0.12-1.2 0.3-3 0.5-5 1.2-12	0.3-3 0.2-2 0.8-8 2-20	0.6-6 0.9-9	1.5	-20°C~+60°C or -20°C~+120°C	≤1.0MPa
VA 10-25 FA 10-25 WA10-25	25	4-400 63-630 100-1000 160-1600 250-2500	50-500 80-800 120-2000 300-3000	1.6-16 2.5-25 4-40 6-60	5-50 200-2000 300-3000	6-60 3-30 5-50	12-120	<0.9MPa			
VA 10-40 FA 10-50 WA 10-50	40	160-1600 250-2500 400-4000	200-2000 300-3000 500-5000	5-50 8-80 12-120	300-3000 500-5000	6-60 9-90	12-120				
VA 10-50 FA 10-50 WA10-50	50	250-2500 630-6300 4000-16000	300-3000 800-8000 4000-16000	10-100 16-160 30-300	400-4000 1000-10000 1500-15000	12-120 20-200	12-120	≤0.7MPa			

VA 10 Outline Dimension

DIA(mm)	Display window size a+b	VA10S thread connection		
		L1	C	Thread
15	26*230	408	53	1/2"BSP
25		414	75	1"BSP
40	40*230	428	92	1 1/2"BSP
50	50*230	431	116	2"BSP

FA 10 outline Diameter

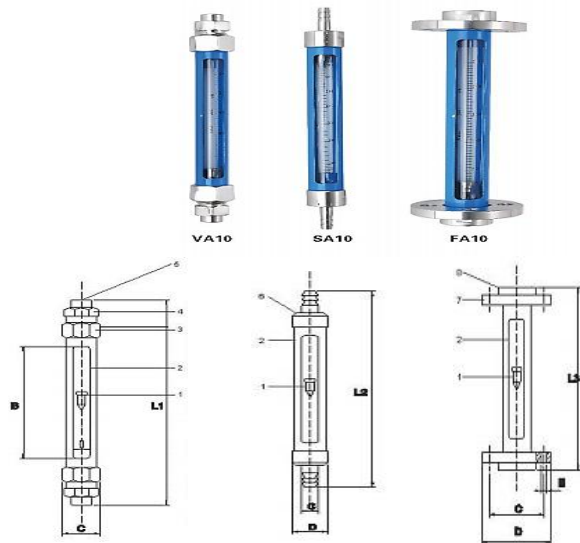
DIA(mm)	Display window size a+b	VA10S thread connection			
		L3	L1	C	Thread
15	26*230	320	φ65	φ95	4-φ14
25			φ85	φ115	
40	φ110		φ145	4-φ18	
50	φ125		φ160		

SA10 Outline Dimension

DIA(mm)	Display window size a+b	VA10S thread connection			
		L3	L1	C	Thread
15	26*230	320	φ65	φ95	4-φ14
25			φ85	φ115	
40	φ110		φ145	4-φ18	
50	φ125		φ160		

Material of 10 Series

No	Material	No	Material
1	SS304 SS316	5	SS304 45#
2	45#	6	SS304 AL
3	AL or SS304	7	SS304 45#
4	45# or SS304	8	AL SS304



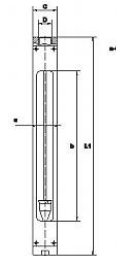
LZB Glass Tube Rotameter

This Series of flowmeter is made of SS304. There are female screw thread, flange connection and tri-clamp connection for choice. It is featured in nice looking and low weight.

Mode	Diameter (mm)	range				Accuracy (±%)	Temperature	Working Pressure			
		Water 20°C (L/h)		Air 10132Pa 20°C(m ³ /h)							
VA 30S-15	15	4-40	6.3-63	10-100	0.12-1.2	0.2-2	-20°C~+120°C	≤1.0MPa			
FA 30S-15		12-120	16-160	20-200	0.3-3	0.4-4					
WA30-15		25-250	30-300	36-360	0.5-5	0.6-6					
		40-400	46-460	63-630	0.8-8	0.9-9					
		65-650	75-750	1.2-12	2-20						
VA 30-25	25	4-400	63-630		1.6-16	2-20		-20°C~+120°C	≤1.0MPa		
FA 30-25		100-1000	160-1600		2.5-25	3-30					
WA 30-25		250-2500			4-40	5-50				6-60	
VA 30-40	40	160-1600	200-2000		5-50	6-60			-20°C~+120°C	<0.9MPa	
FA 30-40		250-2500	300-3000		8-80	9-90					
WA 30-40		400-4000	500-5000		12-120						
VA 30-50	50	250-2500	300-3000		10-100	12-120	-20°C~+120°C			≤0.7MPa	
FA 30-50		400-4000	500-5000		16-160	20-200					
WA30-50		630-6300	800-8000		30-300						
		1000-10000 / 1500-15000 / 4000-16000									

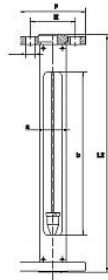
LZB-VA 30S Glass Tube Rotameter Outline Dimensions (mm)

Dia(mm)	Display window size(a*b)	VA30S Threaded connection		
		L1	C	D
15	26*236	344	φ38	1/2"BSP
25	34*226	348	φ55	1"BSP
40	44*226	370	φ70	1 1/2"BSP
50	60*216	380	φ90	2"BSP



LZB-FA 30S Glass Tube Rotameter Outline Dimensions (mm)

Dia(mm)	Display window size(a*b)	VF30S Threaded connection			
		L2	E	F	n-G
15	26*236	344	φ38	1/2"BSP	4-φ14
25	34*226	348	φ55	1"BSP	4-φ14
40	44*226	370	φ70	1 1/2"BSP	4-φ18
50	60*216	380	φ90	2"BSP	4-φ18



LZB-WA 30S Glass Tube Rotameter Outline Dimensions (mm)

Dia(mm)	Display window size(a*b)	VA30S Threaded connection		
		L1	C	D
15	26*236	344	φ38	1/2"BSP
25	34*226	348	φ55	1"BSP
40	44*226	370	φ70	1 1/2"BSP
50	60*216	380	φ90	2"BSP

